

Change LCD module to 1.54 inch

www.eetree.cn

Sheet: /

File: StepInstru.sch

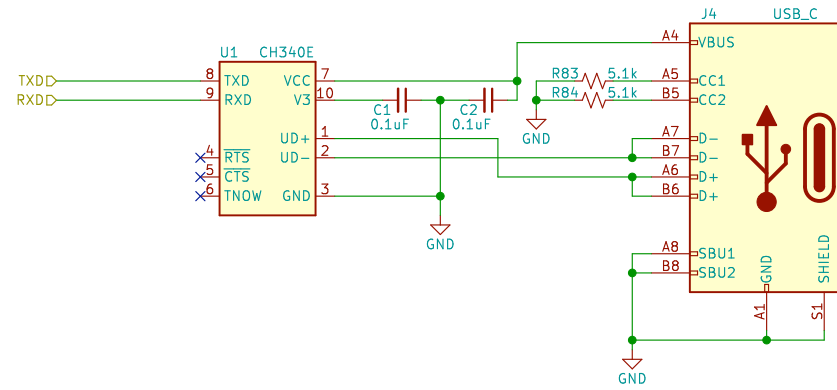
Title: Instrument Training Board based on STEPFGPA

Size: A4 Date: 2020-08-06

Rev: V2.0

KiCad E.D.A. kicad (5.1.6-0)

Id: 1/5



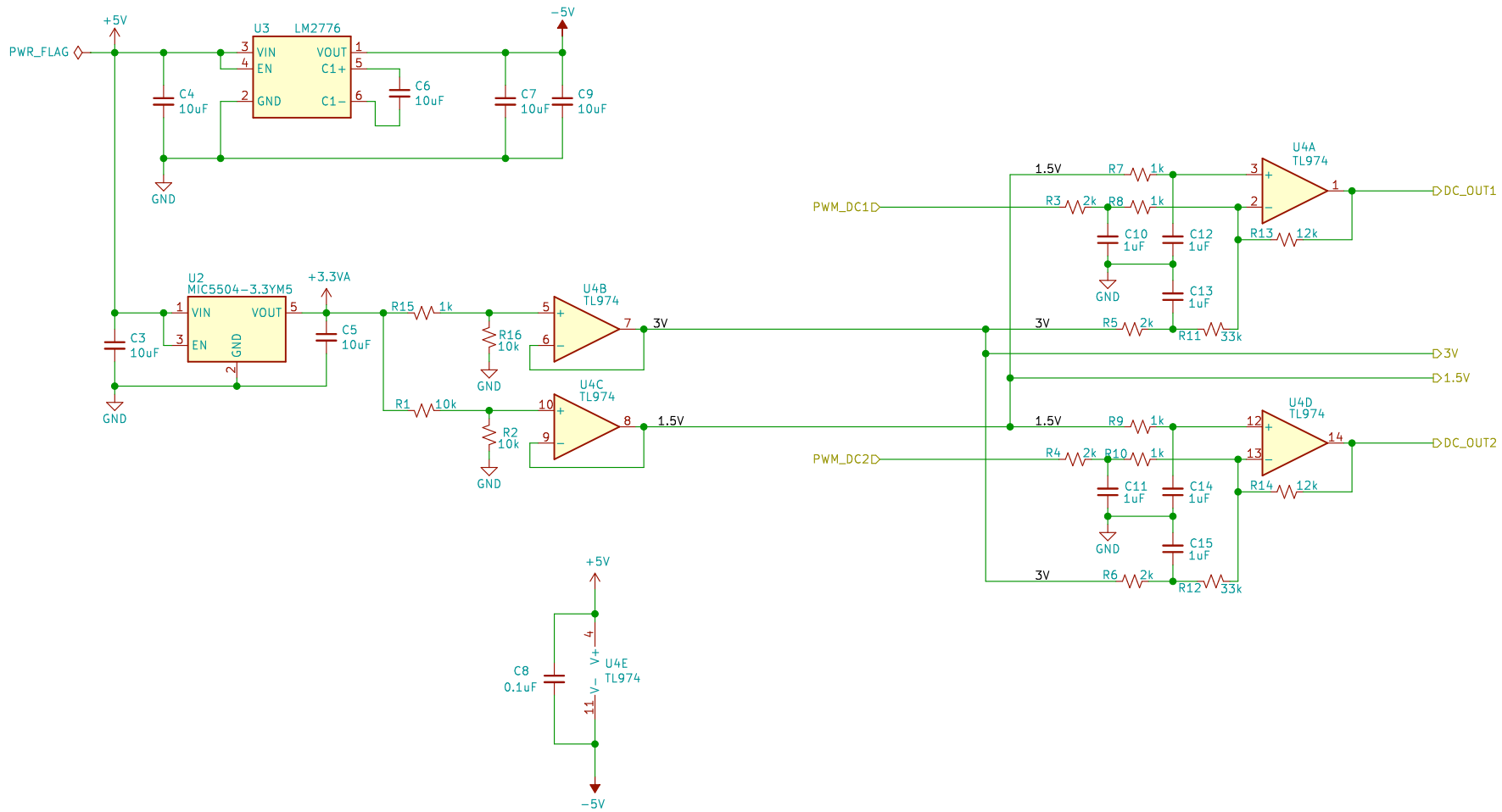
Sheet: /USB to UART/
 File: UART.sch

Title:

Size: A4
 KiCad E.D.A. kicad (5.1.6-0)

Date:

Rev:
 Id: 2/5



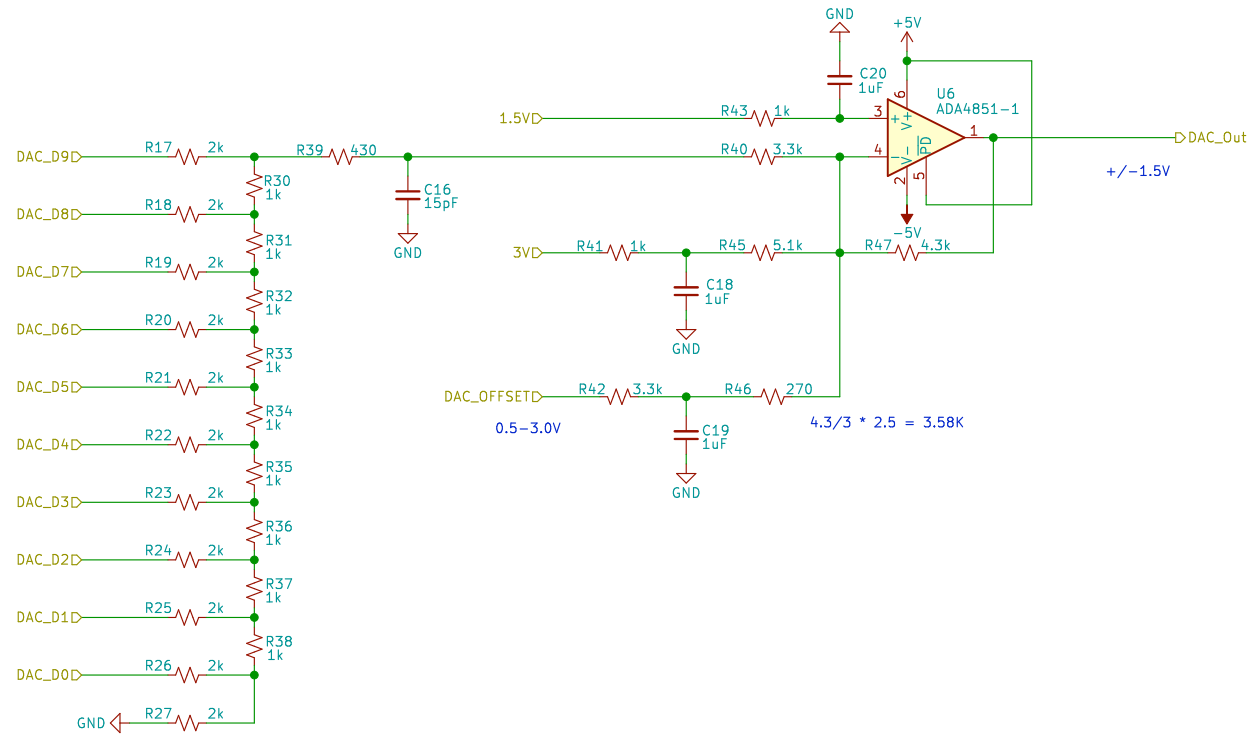
Sheet: /Power Generator/
 File: PS.sch

Title:

Size: A4
 KiCad E.D.A. kicad (5.1.6-0)

Date:

Rev:
 Id: 3/5



Sheet: /DAC with R2R/
File: R2RDAC.sch

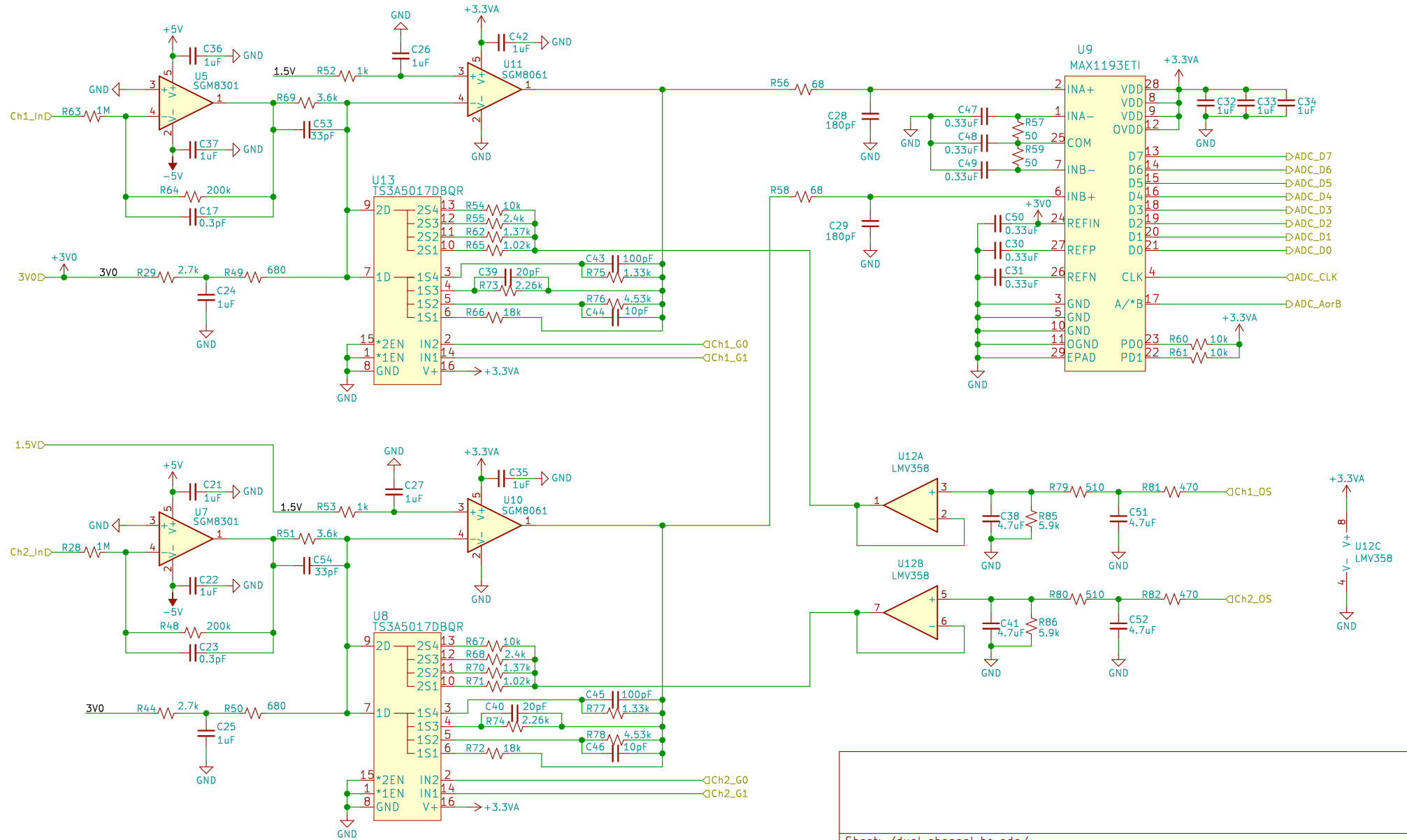
Title:

Size: A4 Date:
KiCad E.D.A. kicad (5.1.6-0)

Rev:
Id: 4/5

10MHz Analog Bandwidth, 100Msps
20Vpp input

$5k/2k = 2.5$
 $2.48k/2k = 1.24$
 $1.07k/2k = 0.5$



Sheet: /dual channel hs adc/
File: hsadc2.sch

Title:

Size: A4 Date: 2020-07-19
KiCad E.D.A. kicad (5.1.6-0)

Rev:
Id: 5/5