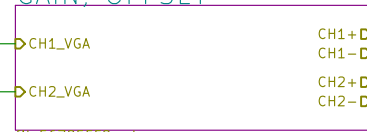


### ANALOG INPUTS



file56770A0B.sch

### GAIN, OFFSET



file56785EF9.sch

### ADC, DAC



file56921512.sch

### DIGITAL INPUTS



file5696EC3B.sch

### FPGA



file56948067.sch

### FX2 USB



file56954A3C.sch

### POWER SUPPLY



file56A5A070.sch

### CONTROL BUFFER



file56A52455.sch

### AWG OUTPUT



file56A1473D.sch

Copyright Dejan Priversek 2016  
This documentation describes Scopefun Oscilloscope and is licensed under the CERN OHL v.1.2

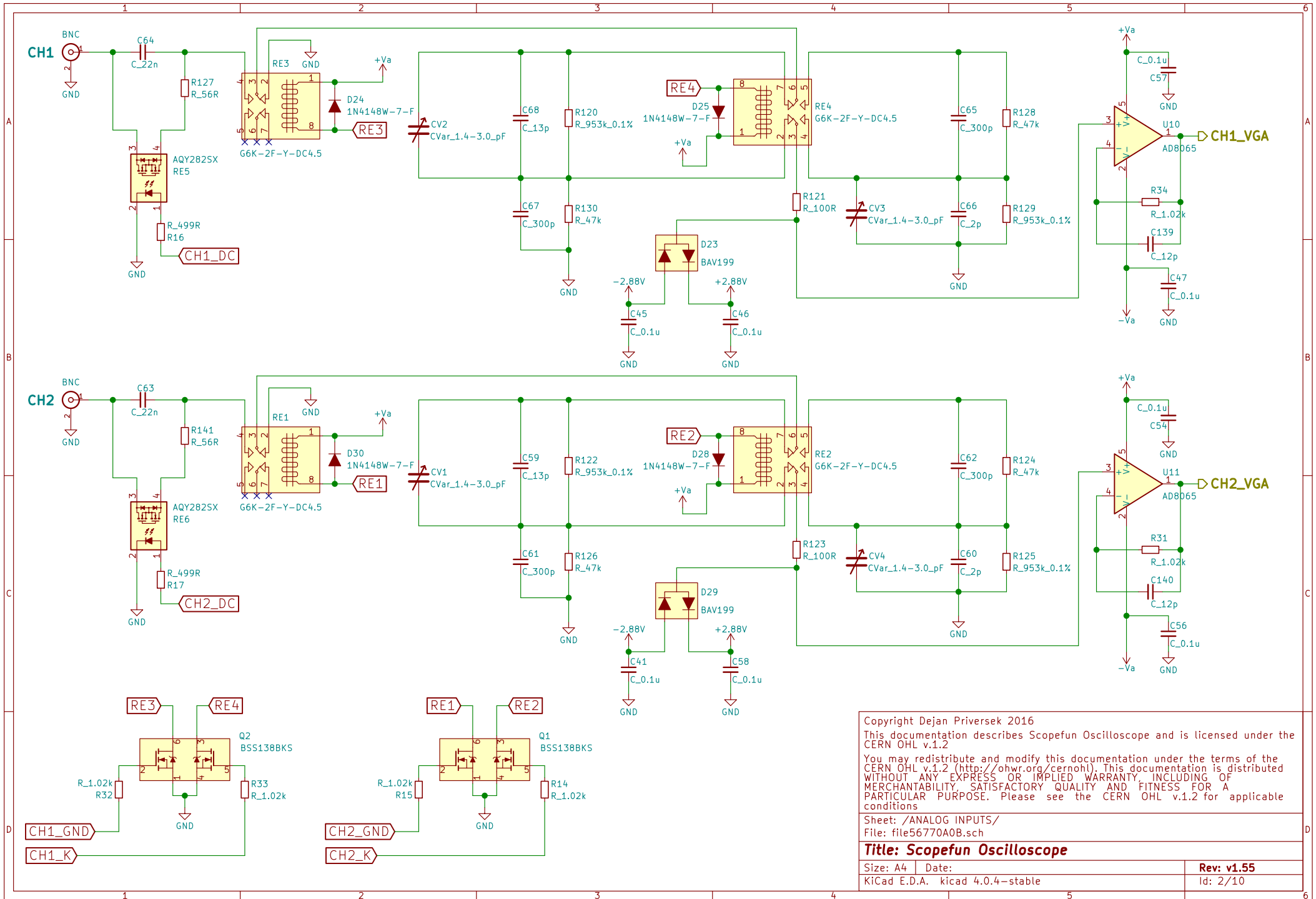
You may redistribute and modify this documentation under the terms of the CERN OHL v.1.2 (<http://ohwr.org/cernohl>). This documentation is distributed WITHOUT ANY EXPRESS OR IMPLIED WARRANTY, INCLUDING OF MERCHANTABILITY, SATISFACTORY QUALITY AND FITNESS FOR A PARTICULAR PURPOSE. Please see the CERN OHL v.1.2 for applicable conditions

Sheet: /  
File: Scopefun\_v155.sch

**Title: Scopefun Oscilloscope**

Size: A4 | Date:  
KiCad E.D.A. kicad 4.0.4-stable

Rev: v1.55  
Id: 1/10



Copyright Dejan Priversek 2016  
 This documentation describes Scopefun Oscilloscope and is licensed under the CERN OHL v.1.2

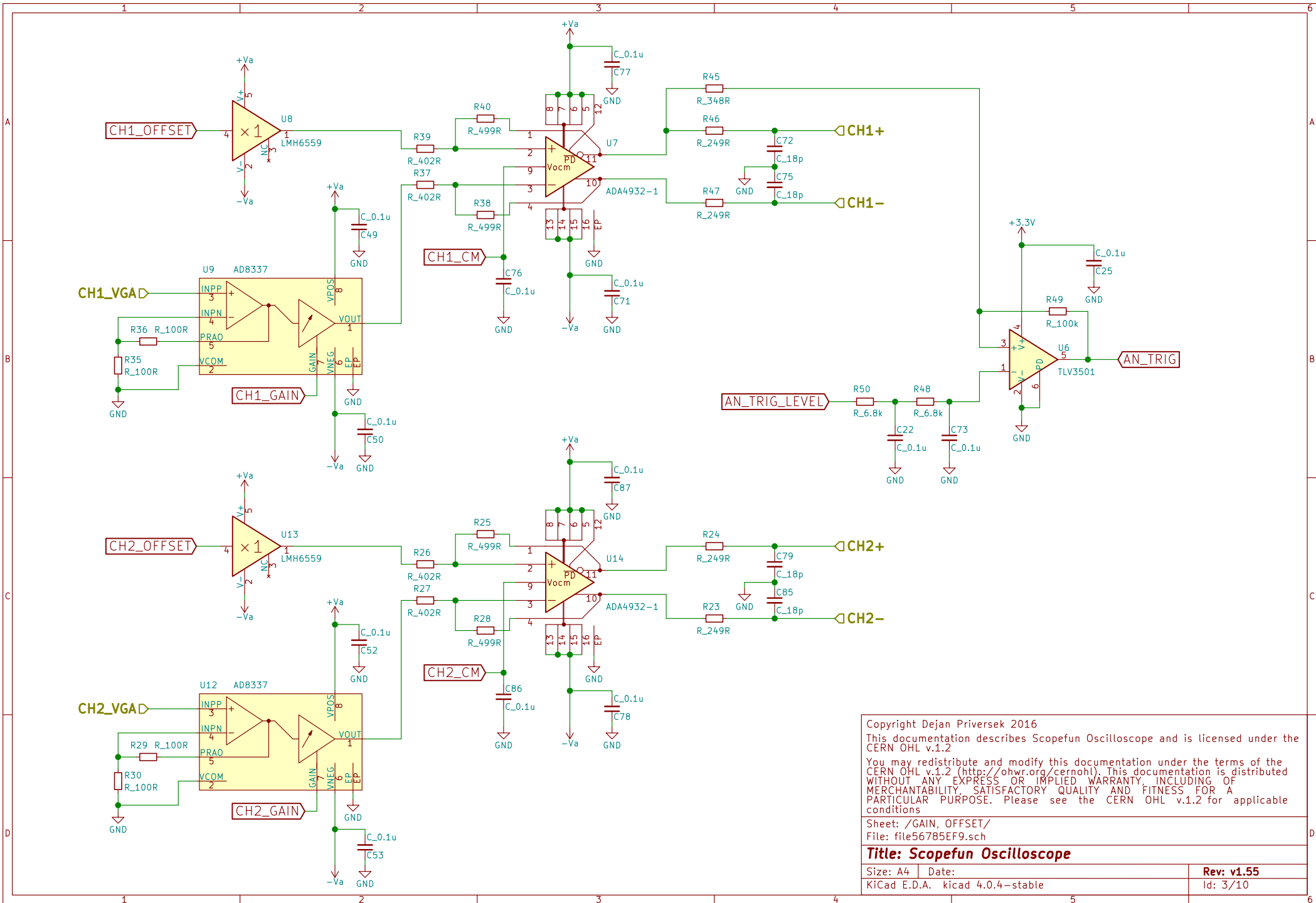
You may redistribute and modify this documentation under the terms of the CERN OHL v.1.2 (<http://ohwr.org/cernohl>). This documentation is distributed WITHOUT ANY EXPRESS OR IMPLIED WARRANTY, INCLUDING OF MERCHANTABILITY, SATISFACTORY QUALITY AND FITNESS FOR A PARTICULAR PURPOSE. Please see the CERN OHL v.1.2 for applicable conditions

Sheet: /ANALOG INPUTS/  
 File: file56770A0B.sch

**Title: Scopefun Oscilloscope**

Size: A4 | Date:  
 KiCad E.D.A. kicad 4.0.4-stable

Rev: v1.55  
 Id: 2/10



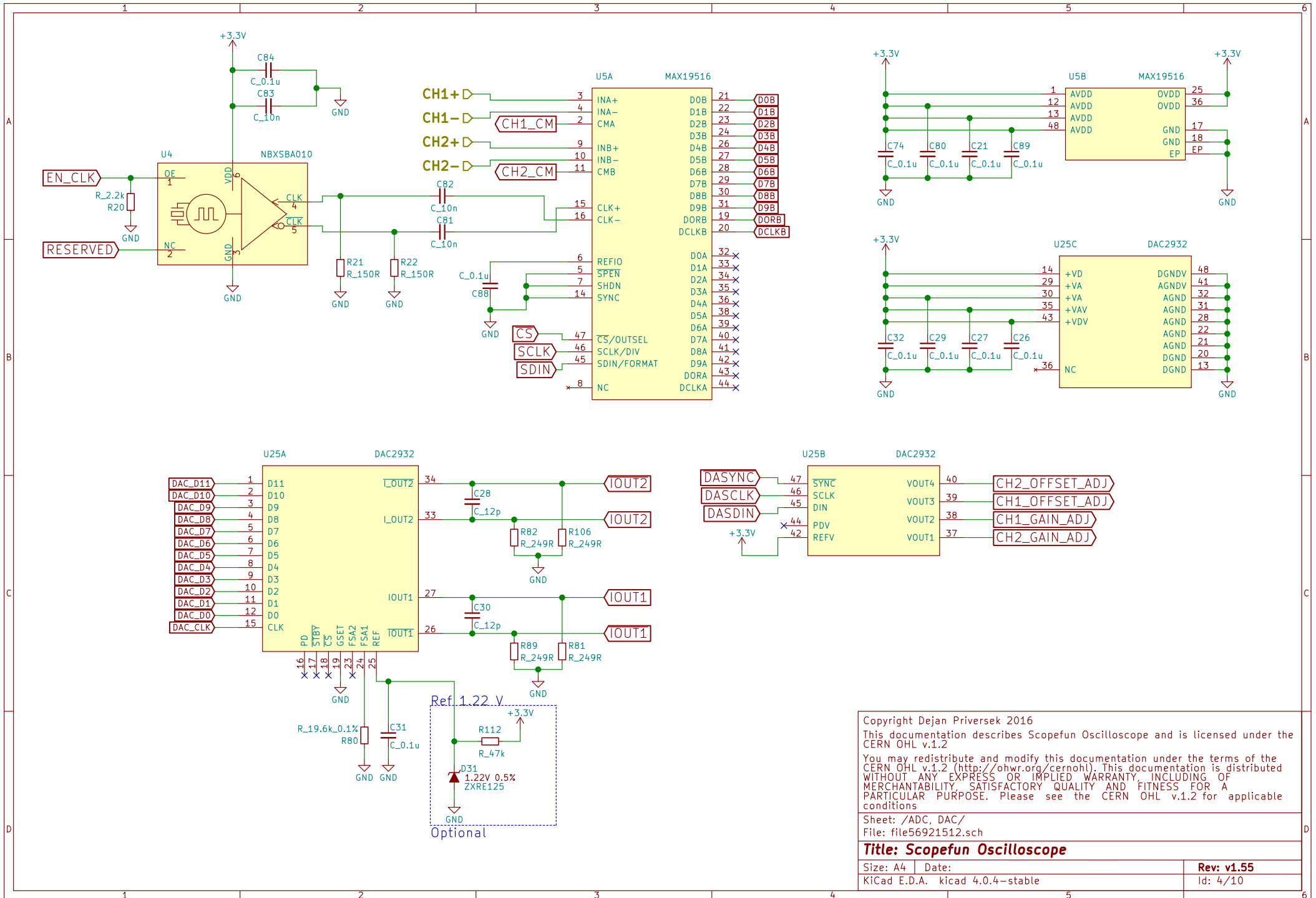
Copyright Dejan Priversek 2016  
 This documentation describes Scopefun Oscilloscope and is licensed under the CERN OHL v.1.2

You may redistribute and modify this documentation under the terms of the CERN OHL v.1.2 (<http://ohwr.org/cernohl>). This documentation is distributed WITHOUT ANY EXPRESS OR IMPLIED WARRANTY, INCLUDING OF MERCHANTABILITY, SATISFACTORY QUALITY AND FITNESS FOR A PARTICULAR PURPOSE. Please see the CERN OHL v.1.2 for applicable conditions

Sheet: /GAIN, OFFSET/  
 File: file56785EF9.sch

**Title: Scopefun Oscilloscope**

Size: A4	Date:	Rev: v1.55
KiCad E.D.A.	kiCad 4.0.4-stable	Id: 3/10

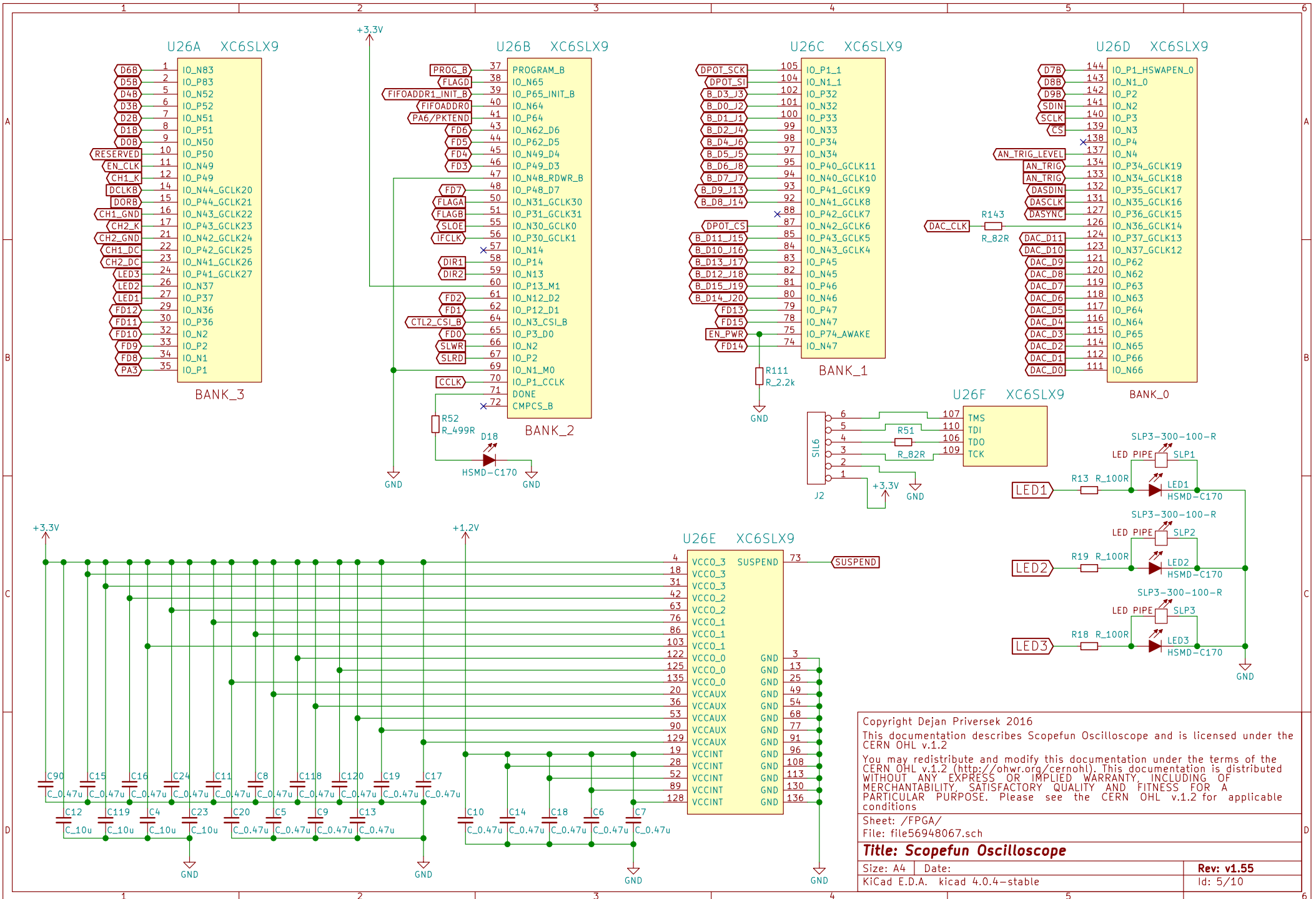


Copyright Dejan Priversek 2016  
 This documentation describes Scopefun Oscilloscope and is licensed under the CERN OHL v.1.2  
 You may redistribute and modify this documentation under the terms of the CERN OHL v.1.2 (<http://ohwr.org/cernohl>). This documentation is distributed WITHOUT ANY EXPRESS OR IMPLIED WARRANTY, INCLUDING OF MERCHANTABILITY, SATISFACTORY QUALITY AND FITNESS FOR A PARTICULAR PURPOSE. Please see the CERN OHL v.1.2 for applicable conditions

Sheet: /ADC, DAC/  
 File: file56921512.sch

**Title: Scopefun Oscilloscope**

Size: A4	Date:	Rev: v1.55
KiCad E.D.A.	Kicad 4.0.4-stable	Id: 4/10

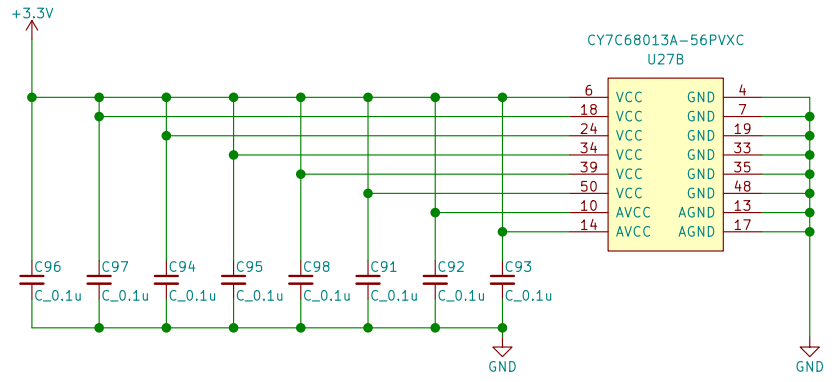
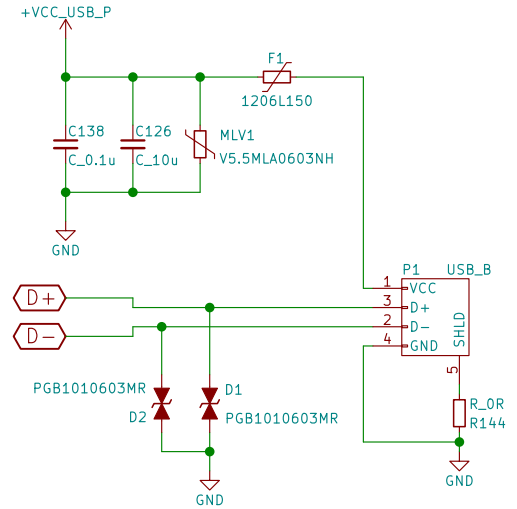
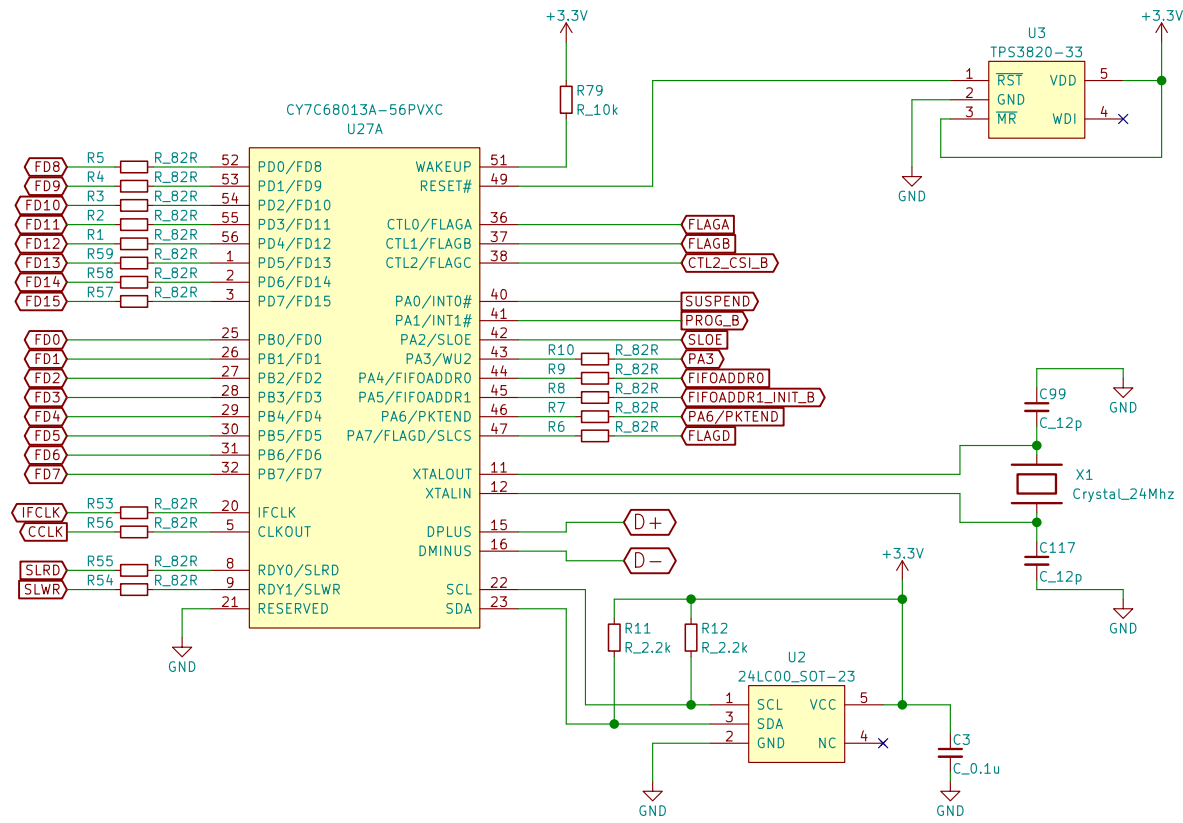


Copyright Dejan Priversek 2016  
 This documentation describes Scopefun Oscilloscope and is licensed under the CERN OHL v.1.2  
 You may redistribute and modify this documentation under the terms of the CERN OHL v.1.2 (<http://ohwr.org/cernohl>). This documentation is distributed WITHOUT ANY EXPRESS OR IMPLIED WARRANTY, INCLUDING OF MERCHANTABILITY, SATISFACTORY QUALITY AND FITNESS FOR A PARTICULAR PURPOSE. Please see the CERN OHL v.1.2 for applicable conditions

Sheet: /FPGA/  
 File: file56948067.sch

**Title: Scopefun Oscilloscope**

Size: A4	Date:	Rev: v1.55
KiCad E.D.A. kicad 4.0.4-stable		Id: 5/10



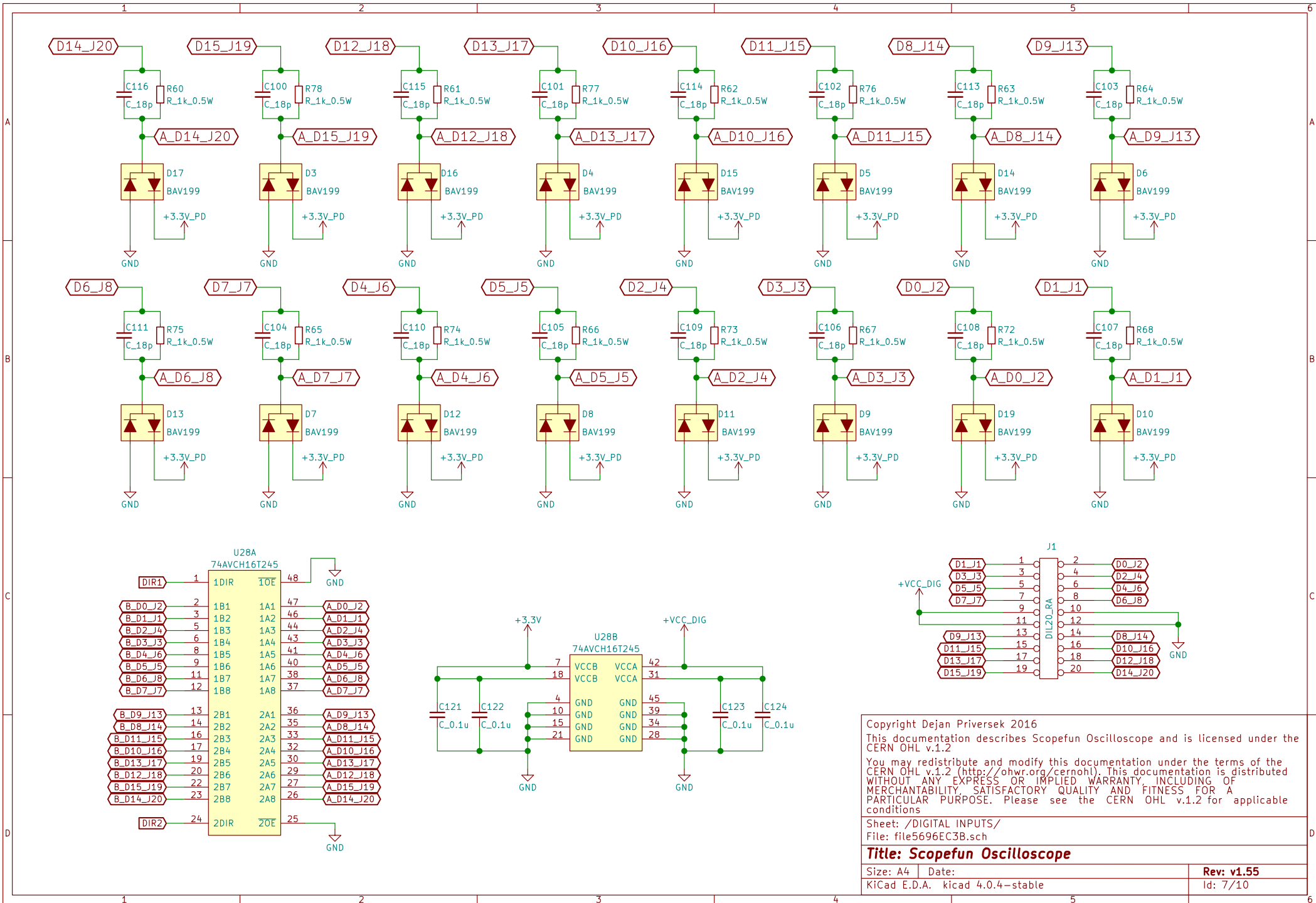
Copyright Dejan Priversek 2016  
 This documentation describes Scopefun Oscilloscope and is licensed under the CERN OHL v.1.2

You may redistribute and modify this documentation under the terms of the CERN OHL v.1.2 (<http://ohwr.org/cernohl>). This documentation is distributed WITHOUT ANY EXPRESS OR IMPLIED WARRANTY, INCLUDING OF MERCHANTABILITY, SATISFACTORY QUALITY AND FITNESS FOR A PARTICULAR PURPOSE. Please see the CERN OHL v.1.2 for applicable conditions

Sheet: /FX2 USB/  
 File: file56954A3C.sch

**Title: Scopefun Oscilloscope**

Size: A4	Date:	Rev: v1.55
KiCad E.D.A.	kiCad 4.0.4-stable	Id: 6/10

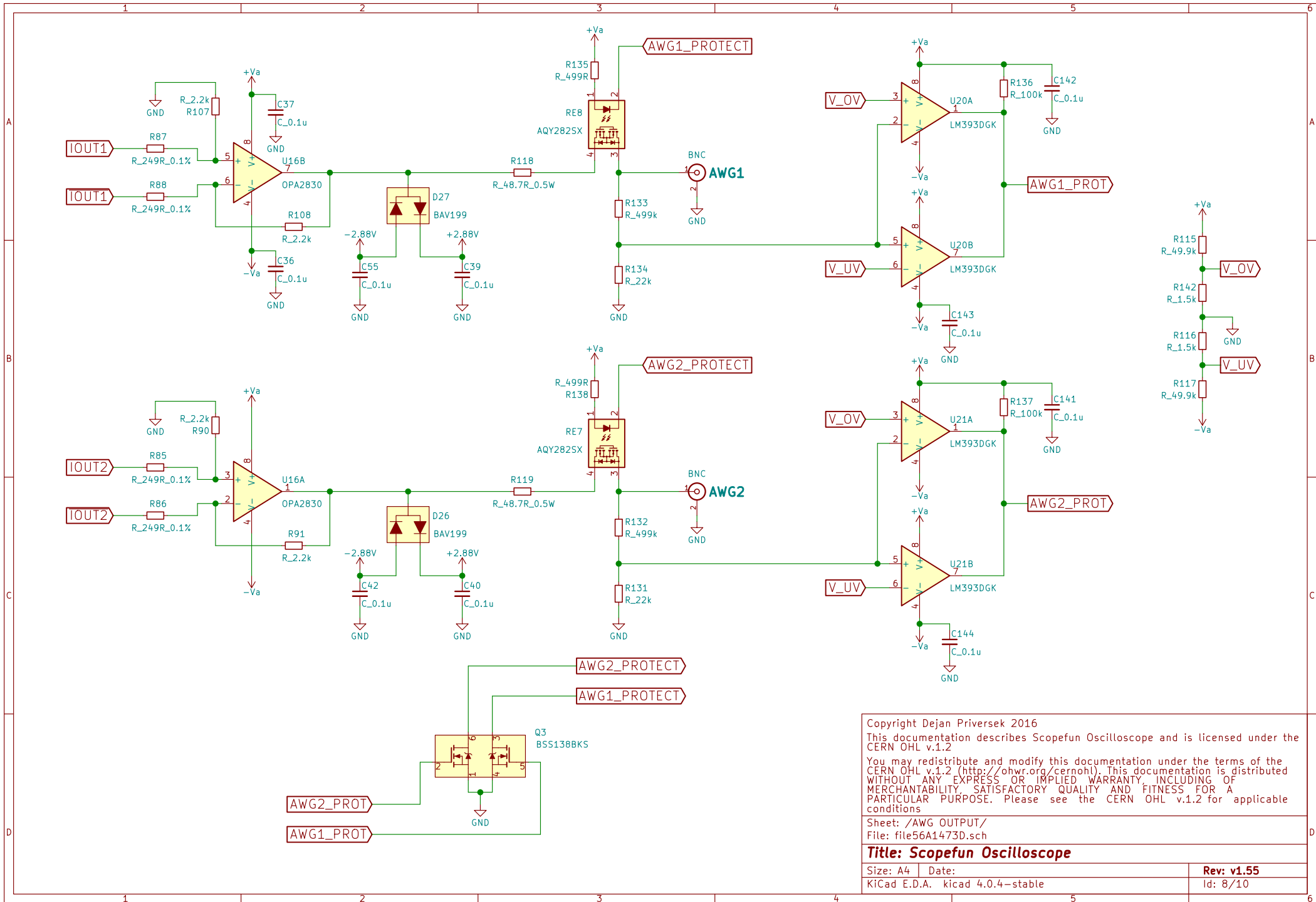


Copyright Dejan Priversek 2016  
 This documentation describes Scopefun Oscilloscope and is licensed under the CERN OHL v.1.2  
 You may redistribute and modify this documentation under the terms of the CERN OHL v.1.2 (<http://ohwr.org/cernohl>). This documentation is distributed WITHOUT ANY EXPRESS OR IMPLIED WARRANTY, INCLUDING OF MERCHANTABILITY, SATISFACTORY QUALITY AND FITNESS FOR A PARTICULAR PURPOSE. Please see the CERN OHL v.1.2 for applicable conditions

Sheet: /DIGITAL INPUTS/  
 File: file5696EC3B.sch

**Title: Scopefun Oscilloscope**

Size: A4	Date:	Rev: v1.55
KiCad E.D.A.	kiCad 4.0.4-stable	Id: 7/10



Copyright Dejan Priversek 2016  
 This documentation describes Scopefun Oscilloscope and is licensed under the CERN OHL v.1.2

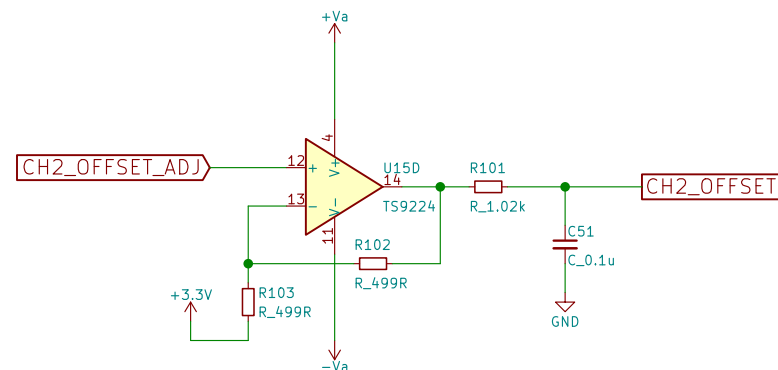
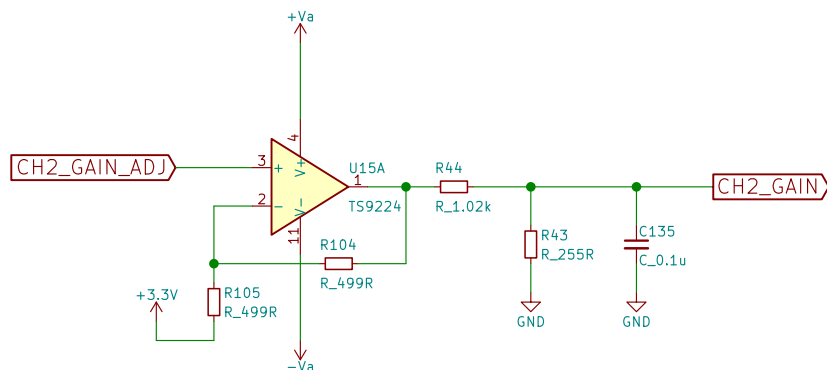
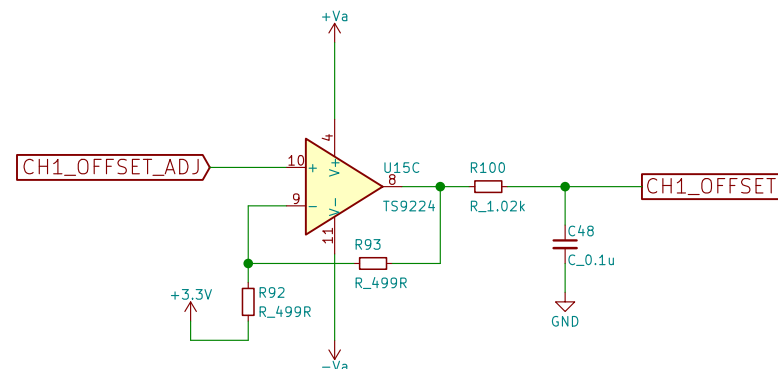
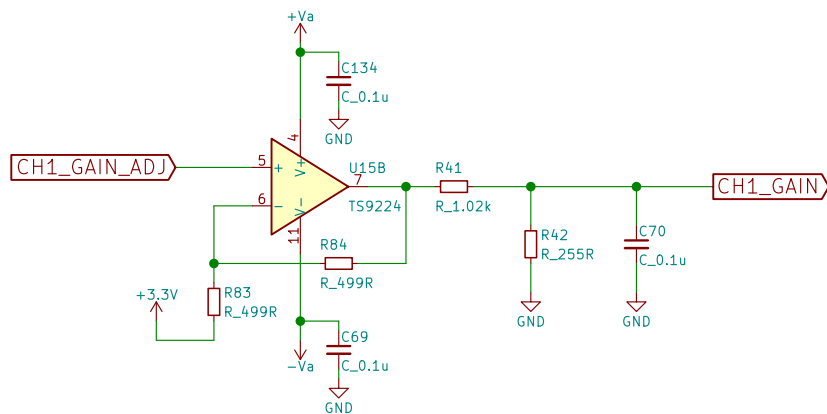
You may redistribute and modify this documentation under the terms of the CERN OHL v.1.2 (<http://ohwr.org/cernohl>). This documentation is distributed WITHOUT ANY EXPRESS OR IMPLIED WARRANTY, INCLUDING OF MERCHANTABILITY, SATISFACTORY QUALITY AND FITNESS FOR A PARTICULAR PURPOSE. Please see the CERN OHL v.1.2 for applicable conditions

Sheet: /AWG OUTPUT/  
 File: file56A1473D.sch

**Title: Scopefun Oscilloscope**

Size: A4	Date:	Rev: v1.55
KiCad E.D.A. kicad 4.0.4-stable		Id: 8/10





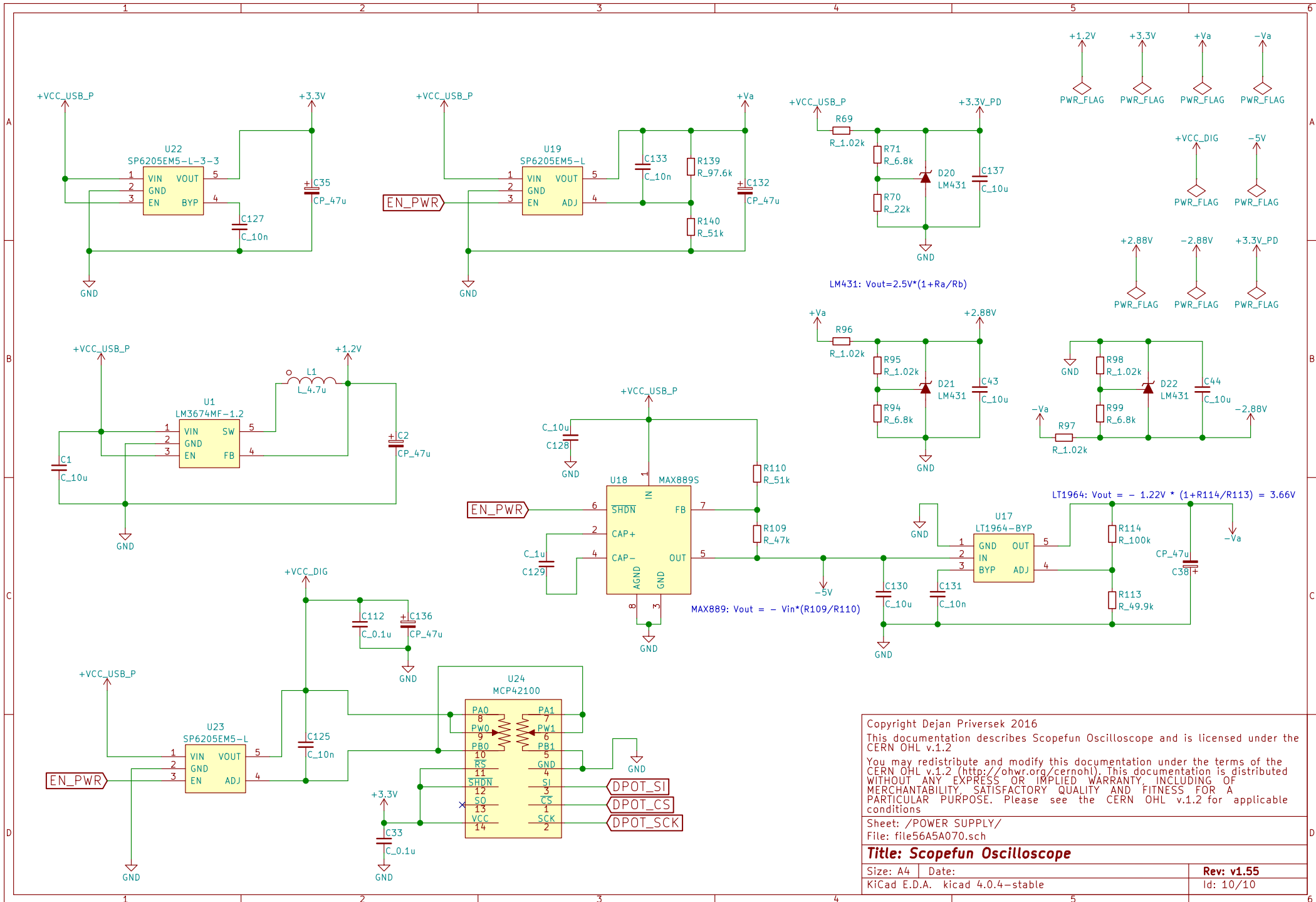
Copyright Dejan Priversek 2016  
 This documentation describes Scopefun Oscilloscope and is licensed under the CERN OHL v.1.2

You may redistribute and modify this documentation under the terms of the CERN OHL v.1.2 (<http://ohwr.org/cernohl>). This documentation is distributed WITHOUT ANY EXPRESS OR IMPLIED WARRANTY, INCLUDING OF MERCHANTABILITY, SATISFACTORY QUALITY AND FITNESS FOR A PARTICULAR PURPOSE. Please see the CERN OHL v.1.2 for applicable conditions

Sheet: /CONTROL BUFFER/  
 File: file56A52455.sch

**Title: Scopefun Oscilloscope**

Size: A4	Date:	Rev: v1.55
KiCad E.D.A.	kiCad 4.0.4-stable	Id: 9/10



Copyright Dejan Priversek 2016  
 This documentation describes Scopefun Oscilloscope and is licensed under the CERN OHL v.1.2

You may redistribute and modify this documentation under the terms of the CERN OHL v.1.2 (<http://ohwr.org/cernohl>). This documentation is distributed WITHOUT ANY EXPRESS OR IMPLIED WARRANTY, INCLUDING OF MERCHANTABILITY, SATISFACTORY QUALITY AND FITNESS FOR A PARTICULAR PURPOSE. Please see the CERN OHL v.1.2 for applicable conditions

Sheet: /POWER SUPPLY/  
 File: file56A5A070.sch

**Title: Scopefun Oscilloscope**

Size: A4	Date:	Rev: v1.55
KiCad E.D.A.	kiCad 4.0.4-stable	Id: 10/10