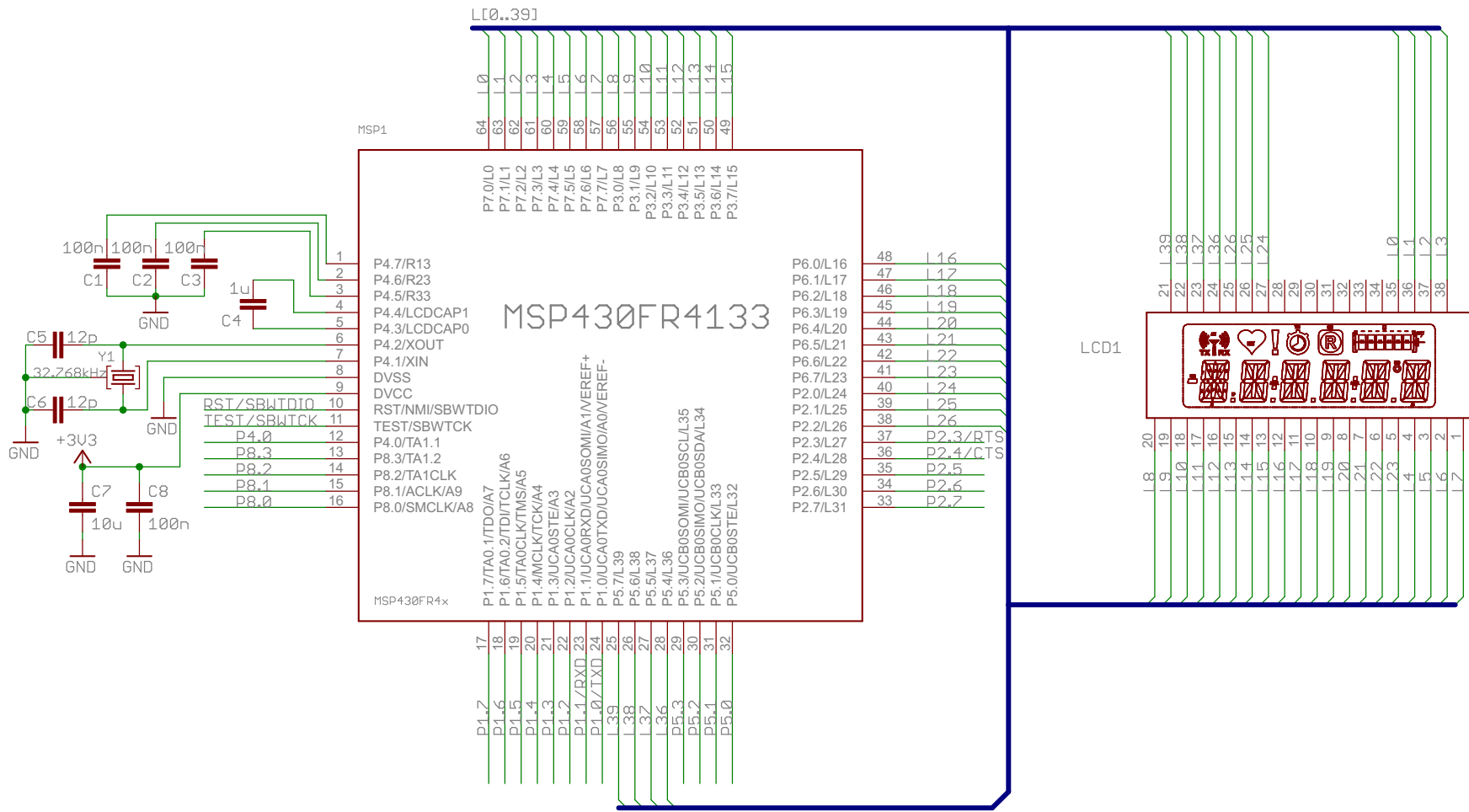


COMPANY: Texas Instruments		
TITLE: MSP-EXP430FR4133		
DRAWN: Mike Stein	CHECKED:	APPROVED:
8/2/2014 4:12:44 PM	Rev: 1.0	Sheet: 1/6

# Host MCU and LCD module



COMPANY: Texas Instruments		
TITLE: MSP-EXP430FR4133		
DRAWN: Mike Stein	CHECKED:	APPROVED:
8/2/2014 4:12:44 PM	Rev: 1.0	Sheet: 2/6

1

2

3

4

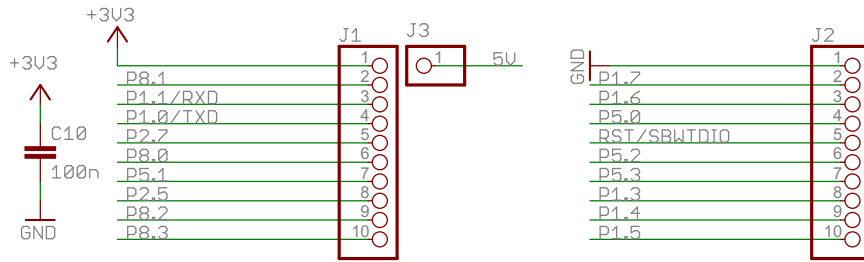
5

6

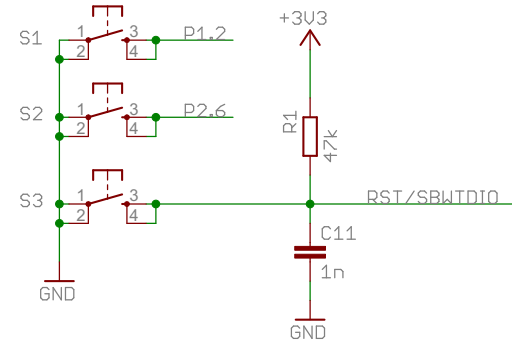
A

A

### BoosterPack Headers



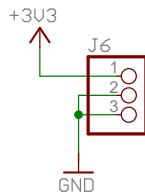
### Pushbuttons S1, S2, S3



B

B

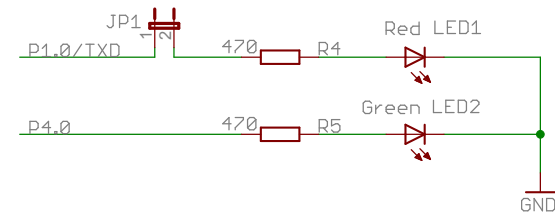
### External Power and Battery Connector



C

C

### LEDs



D

D

Mounting Holes: 125 mil for 4-40/M2.5/M3 screws



### Silkscreen

3V3

COMPANY: Texas Instruments		
TITLE: MSP-EXP430FR4133		
DRAWN: Mike Stein	CHECKED:	APPROVED:
8/2/2014 4:12:44 PM	Rev: 1.0	Sheet: 3/6

1

2

3

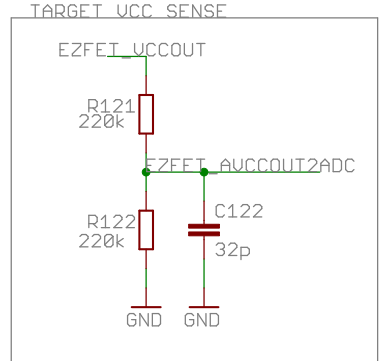
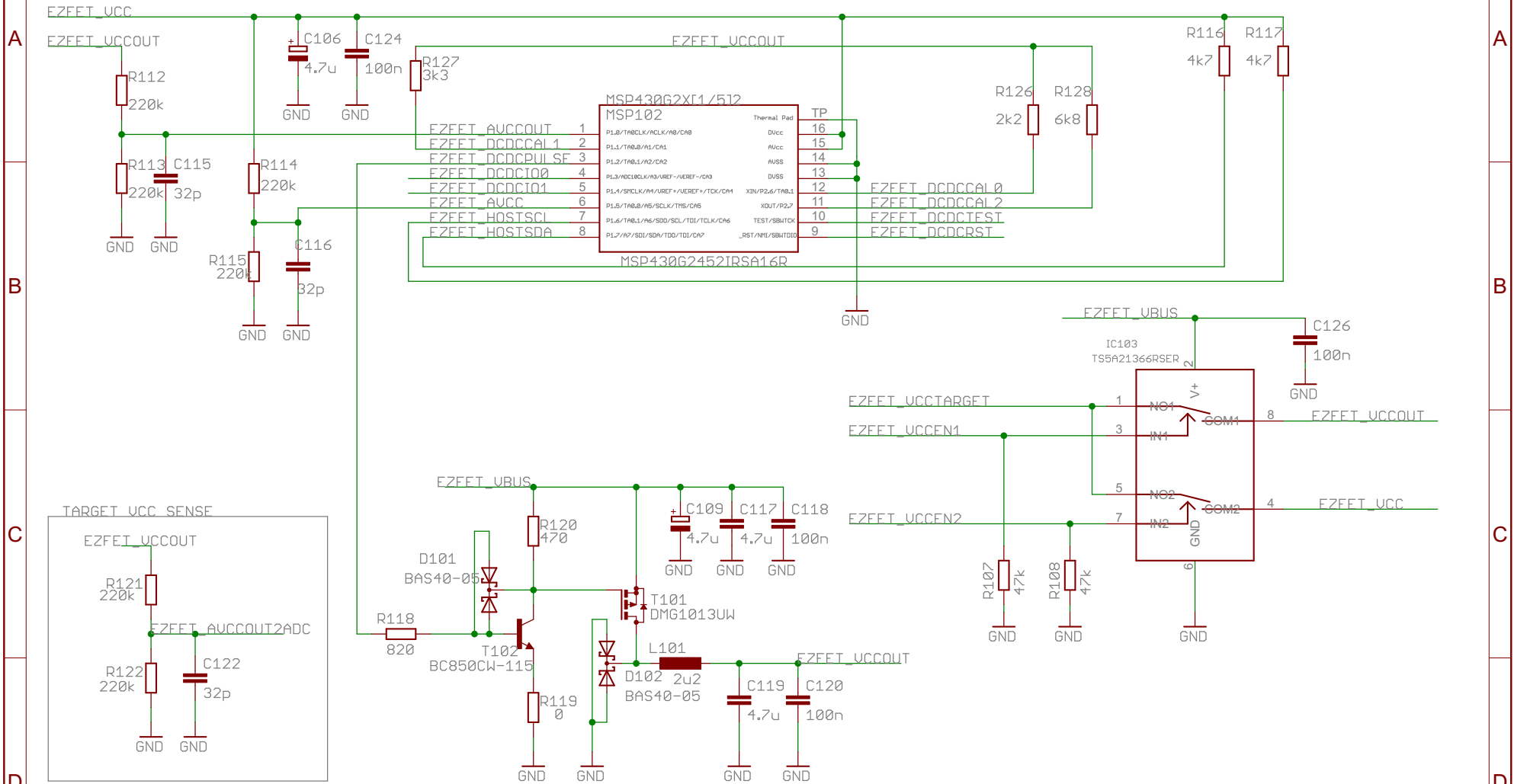
4

5

6

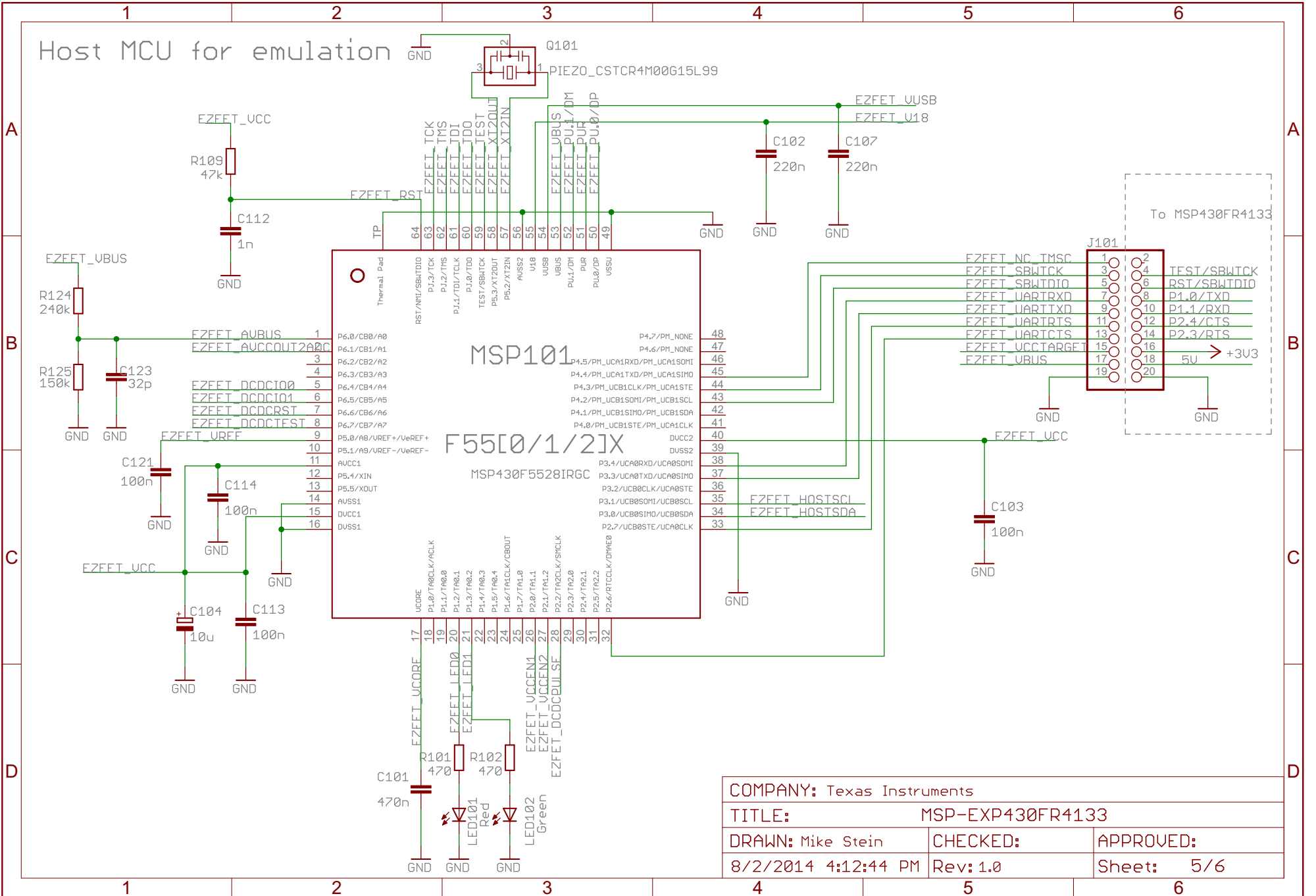
# Software-controlled DCDC converter

Energy measurement method protected under U.S. Patent Application 13/329,073 and subsequent patent applications



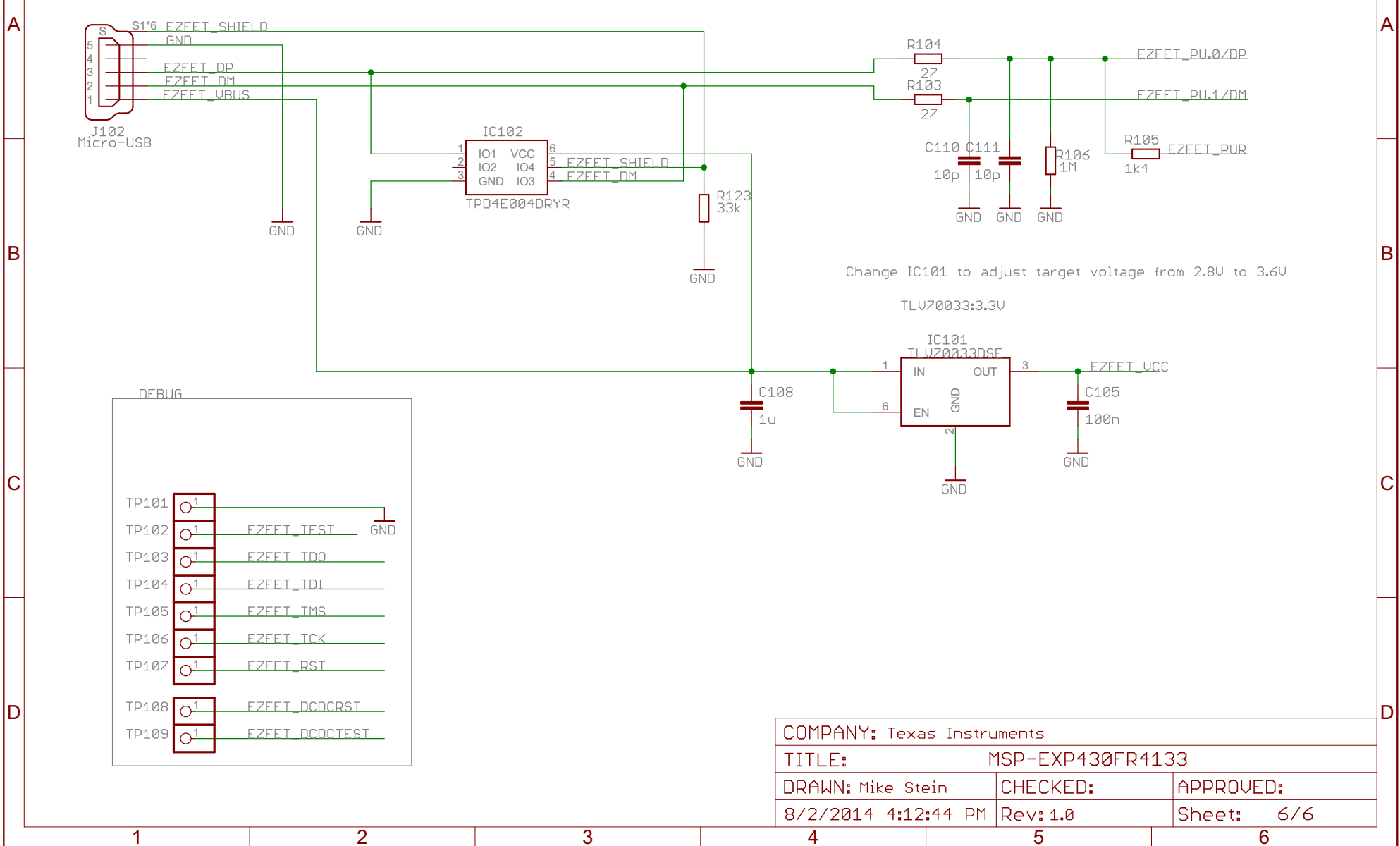
COMPANY: Texas Instruments		
TITLE: MSP-EXP430FR4133		
DRAWN: Mike Stein	CHECKED:	APPROVED:
8/2/2014 4:12:44 PM	Rev: 1.0	Sheet: 4/6

Host MCU for emulation



COMPANY: Texas Instruments		
TITLE: MSP-EXP430FR4133		
DRAWN: Mike Stein	CHECKED:	APPROVED:
8/2/2014 4:12:44 PM	Rev: 1.0	Sheet: 5/6

# USB interface and power supply



COMPANY: Texas Instruments		
TITLE: MSP-EXP430FR4133		
DRAWN: Mike Stein	CHECKED:	APPROVED:
8/2/2014 4:12:44 PM	Rev: 1.0	Sheet: 6/6