

Feature

1. Superior operational feeling free from gaps in operating directions
Ideal for finger-tip operation.
2. Integrated tact switch for selection contributes to the improvement of user-friendliness of the set.
3. Long Life Type Available.

FJ08K Series Joystick potentiometer

Electrical characteristics

- Total Resistance.....5K Ω ~100K Ω
- Total Resistance Tolerance..... \pm 20%
- Resistance Taper.....B taper
- Rated Power.....Taper B:0.0125W
- Withstand Voltage.....1 minute at AC 250V
- Insulation Resistance.....More than 100 M Ω at DC 250V
- Contact Resistance..... Less than 20% of the total resistance

Mechanical characteristics

- Figure of the Slide Bar Operating.....Slide on the 2D flat
- Stopper Strength of the Slide BarMore than 3.0Kgf for 3Sec. Min
- Pull Strength of Slide Bar..... More than 3.0Kgf for 3Sec. Min
- Push Strength of Slide Bar..... More than 3.0Kgf for 3Sec. Min
- Travel of the Slide Bar..... 2mm
- Operating Force of Slide Bar.....120 \pm 50gf

Durability

- Operating Life.....500, 000 Cycles Min
- Operating Temperature Range-10 $^{\circ}$ C ~ +70 $^{\circ}$ C

Switch characteristics

- Contact Resistance..... Less than 300m Ω
- Travel.....0.25+0.2/-0.1mm
- Operating Force.....480 \pm 150gf
- Switch Life.....100,000 Cycles Min
- Operating Temperature Range.....-10 $^{\circ}$ C ~ +70 $^{\circ}$ C

HOW TO ORDER

FJ08K-	N	1	B	10K
---------------	----------	----------	----------	------------

Model Series	
Code	Switch Option
N	No Switch
S	With Tact Switch (Metal Shaft)

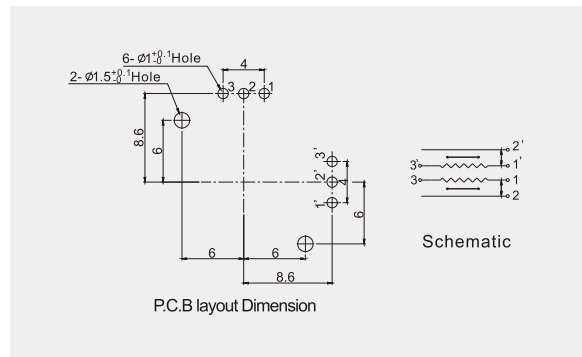
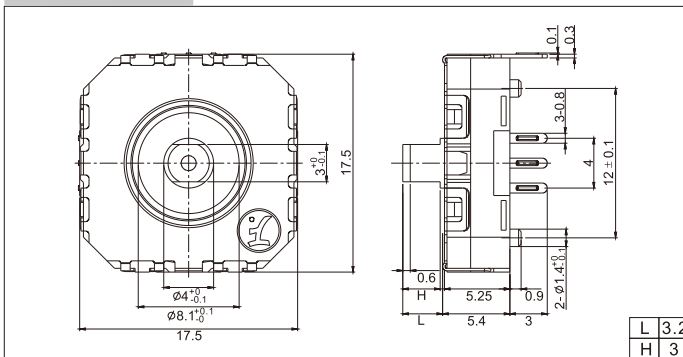
Code	Carbon Track Design
0	4mm Carbon Film
1	4mm Carbon Film with 0.4mm Silver Layer in the Middle
2	4mm Carbon Film with 0.55mm Insulating Ink in the Middle

Code	Resistance Taper
B	Linear(0B)

Total Resistance	
5K	
10K	
20K	
50K	
100K	

Joystick

FJ08K-N Plastic Shaft, 2 Gangs, PC Pins, No Switch



FJ08K-S Metal Shaft, 2 Gangs, PC Pins, with Tact Switch

